

MIDI AMP CONTROLLER MAC-4.4

- User Manual
- Instrukcja obsługi
- Bedienungsanleitung



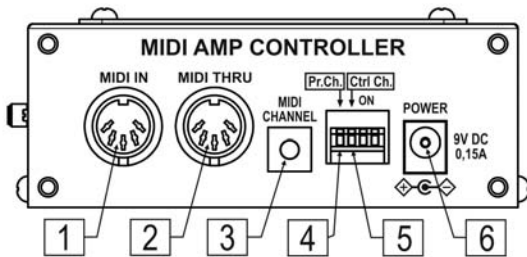
Thank you for choosing our product.

MIDI AMP CONTROLLER MAC-4.4 is an adaptor that enables to control (switch the channels, switch on/off other functions) the amps equipped with EXTERNAL SWITCHING or FOOTSWITCH inputs. The control is done by Program Change and/or Control Change commands of the MIDI interface. The MAC can be controlled by any MIDI controller. Control output signals are lead to terminal strip that enables to connect up to eight JACK MONO plugs or cable connected to amp's FOOTSWITCH INPUT.

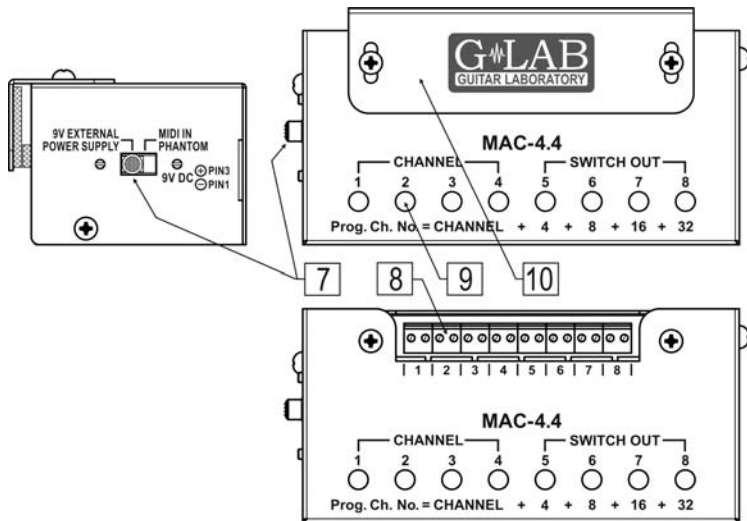
Basic characteristics:

- MIDI IN input and MIDI THRU output
- four separated relay outputs to switch an amp's channels, controlled on the „one of four” principle
- four separated relay outputs to switch an amp's functions, with independent controlling of each function
- rotatable switch to set MIDI channel (1 to 16)
- control commands select switches (Program Change and/or Control Change)
- power supply mode switch (from 9V connector or by PHANTOM MIDI IN).

Structure



- | | |
|-------------------------|----------------------------------------|
| 1 - MIDI IN connector | 6 - 9V power supply connector |
| 2 - MIDI THRU connector | 7 - power supply mode switch |
| 3 - MIDI channel switch | 8 - cable clamp |
| 4 - Pr.Ch. microswitch | 9 - outputs' state indicators |
| 5 - Ctrl Ch microswitch | 10 - fixing cover for connected cables |



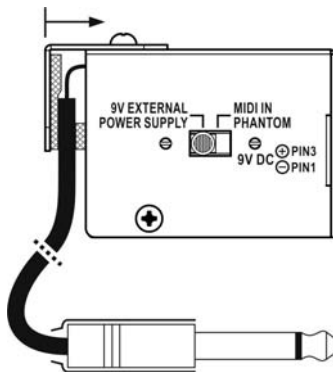
MIDI channel setting

To set the MIDI channel the amp receive the commands on serves the MIDI CHANNEL rotatable switch. To change the channel use a small screw + and turn it a little

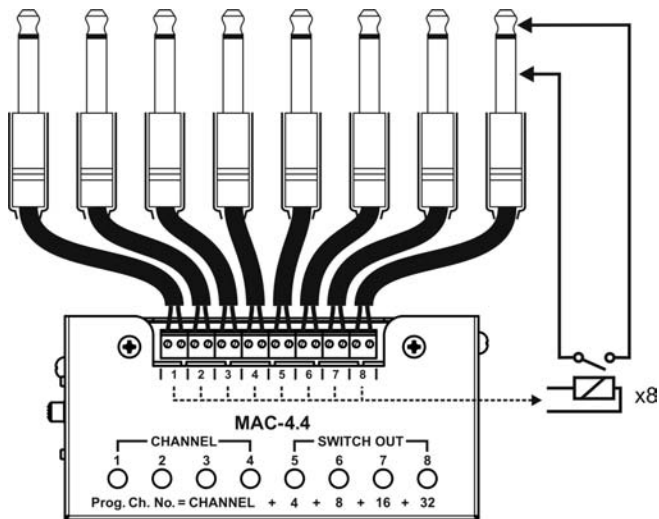
right or left. The arrow-head indicates set channel (A, B, C, D, E, F letters correspond with 10, 11, 12, 13, 14, 15 channels' numbers and "0" digit indicates channel No. 16).

Connecting to amp with EXTERNAL SWITCHING inputs

In case of connecting to the amps equipped with EXTERNAL SWITCHING connectors JACK MONO type it is needed to use for every connector the double wire cable with JACK MONO pin. It is recommended to use the G LAB EXT SWT JACK MONO cables (product code 00852). In case of making the cables by yourself it is recommended to use JACK plugs with the insulated (e.g. plastic) cage.



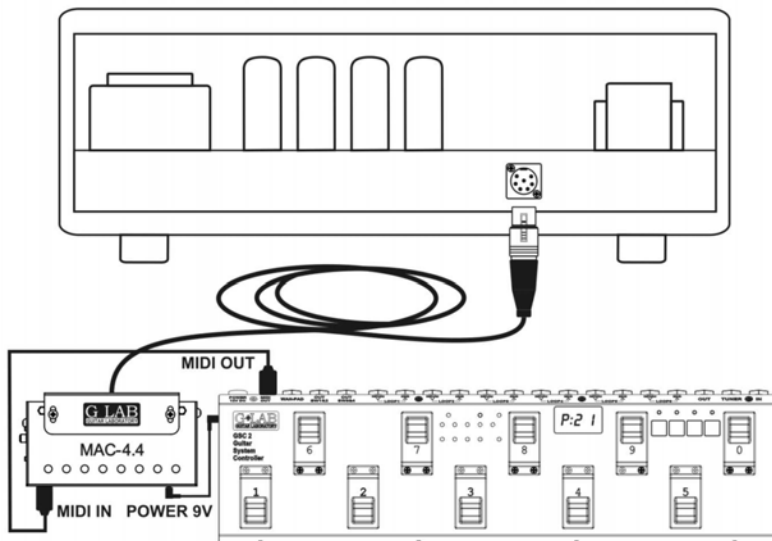
To connect the cables remove the fixing cover. After connecting them put it back, press down and tight up (see the picture below).



Connecting to the Bogner Ecstasy 101B amp

MAC 4.4 version for the Ecstasy 101B amp is equipped with 5 meters long cable with the pin for the amp FOOTSWITCH input. Controller enables choosing of the channels

(No. 1, 2 or 3) and controlling the functions: BOOST1 (SWITCH OUT 5), BOOST2 (SWITCH OUT 6), FX LOOP (SWITCH OUT 7) and STANDBY (SWITCH OUT 8).



Controlling via MIDI commands

MAC-4.4 can be controlled by Program Change and/or Control Change commands.

To choose the commands' type received by the controller use the Pr.Ch. and Ctrl Ch micro-switches. ON position indicates that the commands will be received.

In case of using Program Change command the program number should be counted by following formula:

Program number = amp channel number + **SUM**

SUM = 0 + 4 (if the output No. 5 is active) + 8 (if the output No. 6 is active) + 16 (if the output No. 7 is active) + 32 (if the output No. 8 is active)

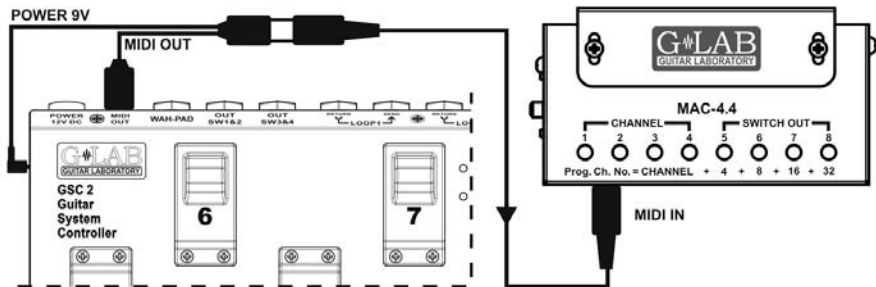
SWITCH OUT				
5	6	7	8	
+4	+8	+16	+32	SUM
OFF	OFF	OFF	OFF	0
ON	OFF	OFF	OFF	4
OFF	ON	OFF	OFF	8
ON	ON	OFF	OFF	12
OFF	OFF	ON	OFF	16
ON	OFF	ON	OFF	20
OFF	ON	ON	OFF	24
ON	ON	ON	OFF	28
OFF	OFF	OFF	ON	32
ON	OFF	OFF	ON	36
OFF	ON	OFF	ON	40
ON	ON	OFF	ON	44
OFF	OFF	ON	ON	48
ON	OFF	ON	ON	52
OFF	ON	ON	ON	56
ON	ON	ON	ON	60

In the table below are shown the controllers' numbers and functions. Controllers from 14 to 18 serve for individual control on every function and the controller number 19 function similarly to the Program Change command (sets the amp channel and other amp functions).

CONTROL CHANGE	
No.	FUNCTION
14	CHANNEL 1 ÷ 4
15	SWITCH 5 *
16	SWITCH 6 *
17	SWITCH 7 *
18	SWITCH 8 *
19	Prog. Ch. No.
* - OFF = 0 ÷ 63 ON = 64 ÷ 127	

Power supply

MAC should be supplied with 9V (DC) external adaptor with current 0,15 A or more. It can be also supplied from MIDI IN (MIDI PHANTOM) connector via MIDI cable. In such case it is needed to use the five wire MIDI cable and to set the power supply switch on MIDI IN PHANTOM mode. Together with the device comes the adaptor serving to divide the supply and the MIDI signal.



REMARK: Damage of the MAC-4.4 caused by supplying it with power of improper voltage effects in loss of the warranty.

Specification

Dimensions: (depth x width x height)	55 x 110 x 45 mm
Weight	270 g
Power supply	9V DC
Power consumption	0,15 A

FCC Compliance

This device complies with Part 15 of the FCC Rules. Operation is subject to the following two conditions: (1) this device may not cause harmful interference, and (2) this device must accept any interference received, including interference that may cause undesired operation.

NOTE: This equipment has been tested and found to comply with the limits for a Class B digital device, pursuant to Part 15 of the FCC Rules. These limits are designed to provide reasonable protection against harmful interference in a residential installation. This equipment generates, uses and can radiate radio frequency energy and, if not installed and used in accordance with the instructions, may cause harmful interference to radio communications. However, there is no guarantee that interference will not occur in a particular installation.

If this equipment does cause harmful interference to radio or television reception, which can be determined by turning the equipment off and on, the user is encouraged to try to correct the interference by one or more of the following measures:

- Reorient or relocate the receiving antenna.
- Increase the separation between the equipment and receiver.
- Connect the equipment into an outlet on a circuit different from that to which the receiver is connected.
- Consult the dealer for help.

Declaration of Conformity

ELZAB S.A., ul. Kruczkowskiego 39, 41-813 Zabrze, Poland,
declare under sole responsibility, that the following product:

G LAB/ MIDI AMP CONTROLLER MAC-4.4 (G LAB MAC-4.4)

conforms with requirements of the EC Council Directives:

- 2006/95/EEC Low Voltage Directive,
- 2004/108/EEC Electromagnetic Compatibility,

and holds CE mark. Above named product conforms with the following standards:

- PN-EN 60065:2004 /EN 60065:2002/ Audio, video and similar apparatus - Safety requirements.
- PN-EN 55103-1:2000 /EN 55103-1:1996/ Electromagnetic compatibility - Product family standard for audio, video, audio-visual and entertainment lighting control apparatus for professional use - Part 1: Emission
- PN-EN 55103-2:2001 /EN 55103-2:1996/ Electromagnetic compatibility - Product family standard for audio, video, audio-visual and entertainment lighting control apparatus for professional use - Part 2: Immunity

Jerzy Biernat

President of the ELZAB S.A. Board of Directors

Copy of original EC declaration of conformity is available for download on our
website <http://www.glab.com.pl>



DO NOT PLACE THIS PRODUCT INTO THE WASTE CONTAINER !

This device is marked with a cross-lined waste container symbol according to 2002/96/EU Directive on Waste Electric and Electronic Equipment.

Such marking informs that after usage equipment can not be trashed together with other household waste.

An user obligation is to return wasted equipment to a party collecting wasted electric and electronic equipment. Parties collecting such equipment organise a system, including local collection points, shops and other units, allowing to return such equipment. This Directive assures an user free of charge utilisation of such delivered equipment.

This device is made of materials which can be recycled or utilised after becoming out of use. Proper handling of wasted electric and electronic equipment reduce demand for raw materials and contribute in avoiding harmful consequences for environment and health of people caused by dangerous components and not proper storing and utilising of such equipment.

Nr rys. G40INA00



G LAB is a brand of ELZAB SA

COMPANY ADDRESS

ELZAB SA

ul. Kruczkowskiego 39, 41-813 Zabrze, Poland

phone: +48 32 272 20 21, fax: +48 32 272 81 90

Sales & Export Department

phone: +48 32 272 30 51 ext. 34, 39, 64

+48 32 272 20 21 ext. 308, 366, 468

e-mail: glab@glab.com.pl

Technical Support

phone: +48 32 272 30 51 ext. 64

+48 32 272 20 21 ext. 308

e-mail: help@glab.com.pl

www.glab.com.pl