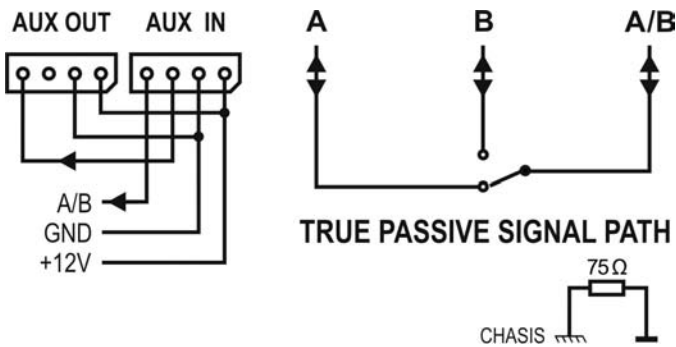


Dear Customer,

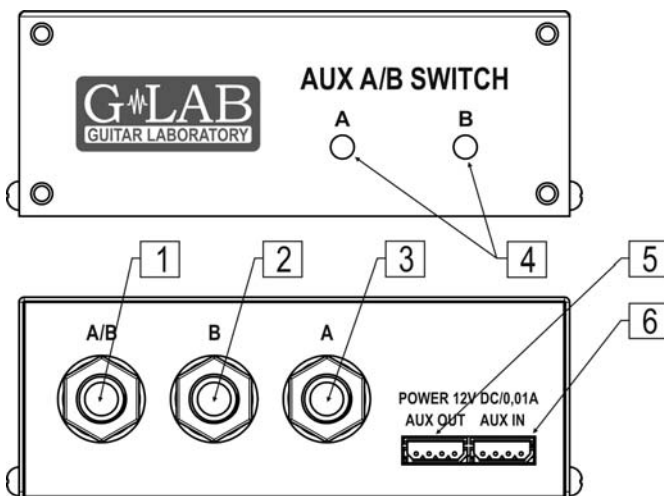
Congratulations for choosing our G LAB product!

AUX A/B SWITCH is a classic A/B switch which could be used to connect for e. g. two instruments to one amp. It serves to extend the functionality of the G LAB controllers' equipped with AUX connectors (e.g. MGC-6 and GSC-2 controllers). A/B switch poses the true passive signal path and thanks to that it can be used in both signal directions.

Signal's path diagram



Structure



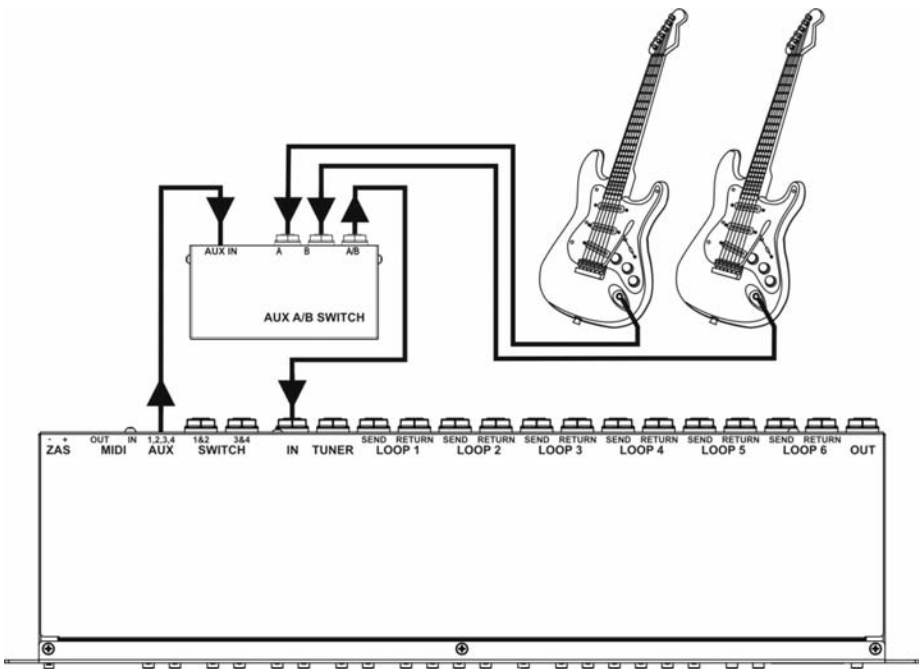
- 1 - signal OUTPUT connector
- 2 - signal input B
- 3 - signal input A
- 4 - switch indicators
- 5 - AUX OUTPUT connector
- 6 - AUX INPUT connector

Connection with MGC-6

Connection of the devices should be done by the cable supplied to AUX A/B SWITCH. With this cable we connect AUX IN AUX A/B SWITCH connector with one of the AUX1-4 connectors of the MGC-6. For switching the AUX A/B SWITCH serve the corresponding button of AUXILIARY SECTION.

It is possible to connect the second AUX A/B SWITCH to the one already connected to the MGC-6.

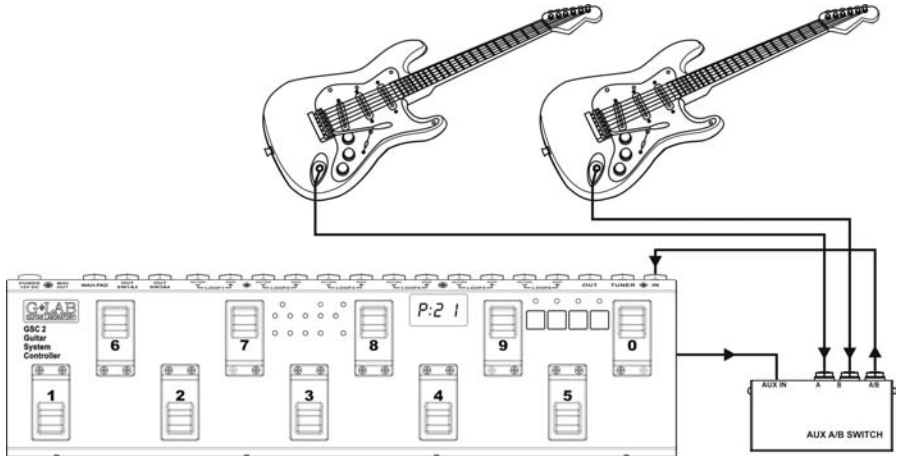
Below you will find the example of AUX A/B SWITCH connection.



Guitar switch

Connection with GSC-2

Connection of the devices should be done by using the cable supplied to the AUX A/B SWITCH (AUX IN connector of the switcher with the AUX connector of the GSC-2). To program the A or B state of switch serve the footswitch No 6 of the GSC-2.

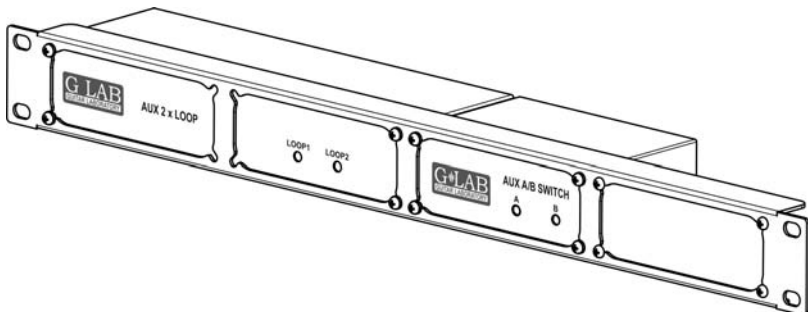


It is possible to connect the second AUX A/B SWITCH to the one already connected to the GSC-2.

In that case to program the A or B state of the second switch serve the footswitch No 7 of the GSC-2.

Mounting

AUX A/B SWITCH can be installed in rack with the use of the GLAB 1U FRONT PANEL RMS (see picture below). Module can be also fixed by using other methods or stay separately.



Certificate of Conformity

ELZAB S.A., ul. Kruczkowskiego 39, 41-813 Zabrze, Poland,
hereby declares on own responsibility that the following product:

AUX A/B SWITCH (G LAB ASW)

that is covered by this certificate and marked with CE 07 label conforms with following standards:

- PN-EN 60065:2004 Safety requirements for mains operated electronic and related apparatus for household and similar general use
- PN-EN 55103-1:1998 Product family standard for audio, video, audio-visual and entertainment lighting control apparatus for professional use. Part 1: Emission.
- PN-EN 55103-2:1998 Product family standard for audio, video, audio-visual and entertainment lighting control apparatus for professional use. Part 2: Immunity.

with reference to regulations in following directives: 73/23/EEC, 2004/108/EEC

Issued in Zabrze, October 2008

Jerzy Biernat

President of the ELZAB S.A. Board of Directors



DO NOT PLACE THIS PRODUCT INTO THE WASTE CONTAINER !

This device is marked with a cross-lined waste container symbol according to 2002/96/EU Directive on Waste Electric and Electronic Equipment.

Such marking informs that after usage equipment can not be trashed together with other household waste.

An user obligation is to return wasted equipment to a party collecting wasted electric and electronic equipment. Parties collecting such equipment organise a system, including local collection points, shops and other units, allowing to return such equipment. This Directive assures an user free of charge utilisation of such delivered equipment.

This device is made of materials which can be recycled or utilised after becoming out of use. Proper handling of wasted electric and electronic equipment reduce demand for raw materials and contribute in avoiding harmful consequences for environment and health of people caused by dangerous components and not proper storing and utilising of such equipment.