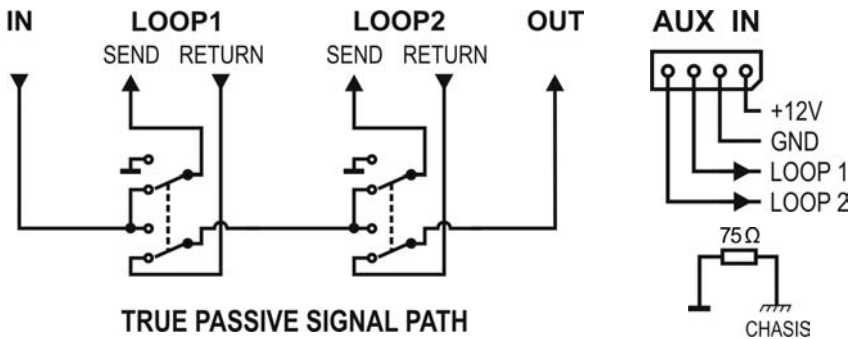


Dear Customer,

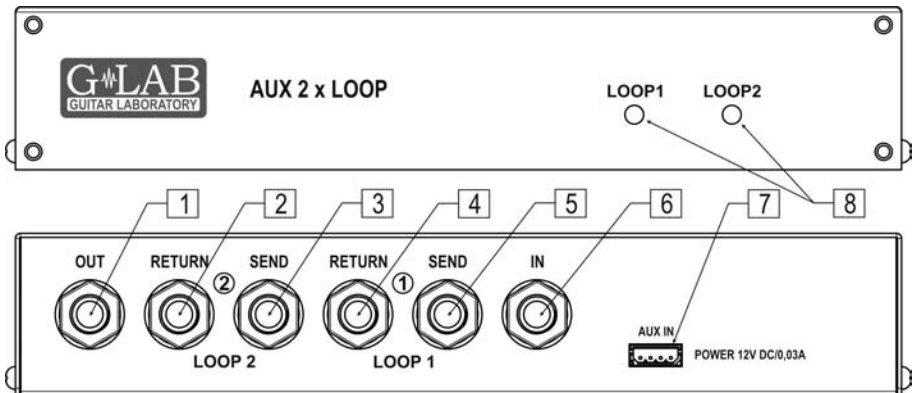
Congratulations for choosing our G LAB product!

AUX 2 x LOOP is a two effects loops switcher (TRUE BYPASS type) serving to extend the functionality of the G LAB controllers' equipped with AUX connectors (e.g. MGC-6 and GSC-2 controllers).

Signal's path diagram



Structure



- | | |
|----------------------------------|---------------------------------|
| 1 - signal OUTPUT connector | 5 - LOOP 2 signal output (SEND) |
| 2 - LOOP 2 signal input (RETURN) | 6 - signal INPUT connector |
| 3 - LOOP 2 signal output (SEND) | 7 - AUX INPUT connector |
| 4 - LOOP 1 signal input (RETURN) | 8 - loops indicators |

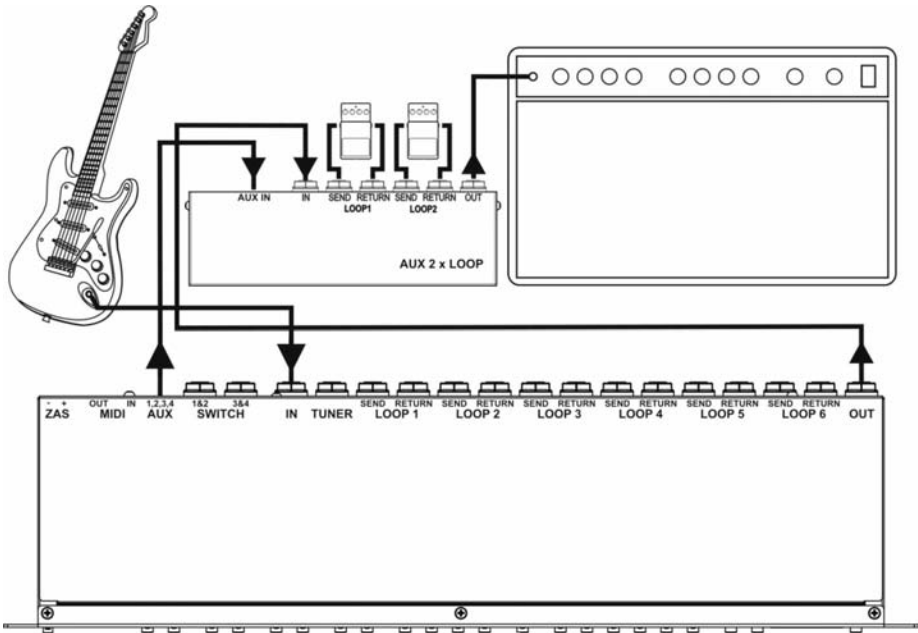
Connection with MGC-6

AUX 2 x LOOP enables controlling by MGC-6 two additional effect loops connected for e.g. to an amp effects loop or between OUT output and amp input. Looper has passive signal path and true bypass circuit for switched off effects.

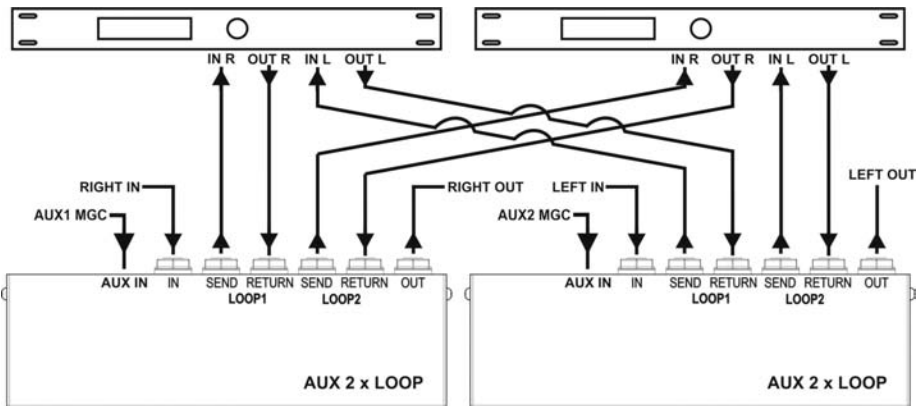
Connection of the devices should be done by using the cable supplied to the AUX 2 x LOOP. With this cable we connect AUX IN connector of the AUX 2 x LOOP with one of the AUX1-4 connectors of the MGC-6. For switching the loops serve the corresponding buttons of AUXILIARY SECTION (for AUX 1 buttons 1 and 2, for AUX 2 buttons 3 and 4, AUX 3 buttons 5 and 6 and for AUX 4 buttons 7 and 8).

It is possible to connect four AUX 2 x LOOPS to one MGC-6 maximally.

Below you will find the example of AUX 2 x LOOP connection.



Extending the MGC by two effect loops

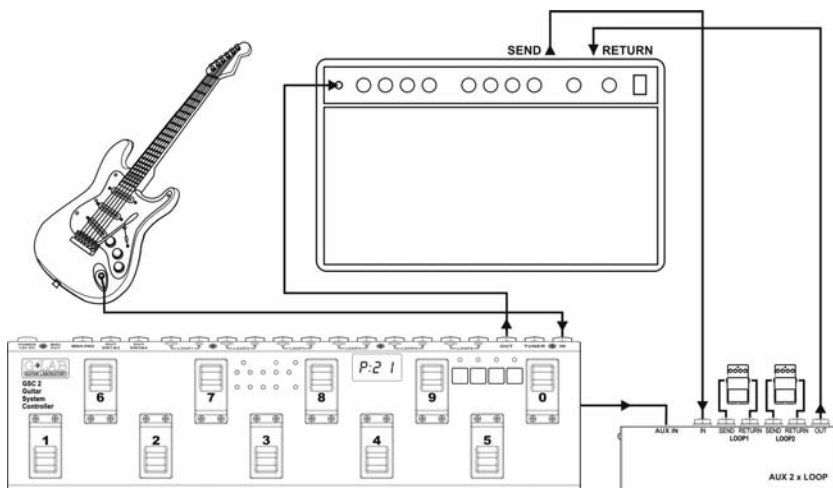


Two stereo effects switch

Connection with GSC-2

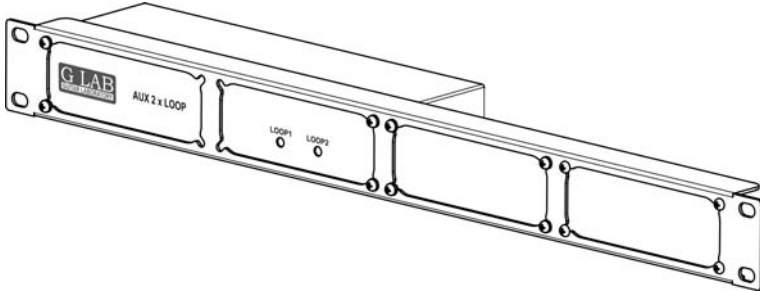
AUX 2 x LOOP enables controlling by GSC-2 two additional effect loops. It is recommended to connect the AUX 2 x LOOP to an amp effects loop. Looper has passive signal path and true bypass circuit for switched off effects.

Connection of the devices should be done by using the cable supplied to the AUX 2 x LOOP (AUX IN connector of the looper with the AUX connector of the GSC-2). To program the loops serve the footswitches No 6 or 7 of the GSC-2.



Mounting

AUX 2 x LOOP can be installed in rack with the use of the GLAB 1U FRONT PANEL RMS (see picture below). Module can be also fixed by using other methods or stay separately.



Certificate of Conformity

ELZAB S.A., ul. Kruczkowskiego 39, 41-813 Zabrze, Poland,
hereby declares on own responsibility that the following product:

AUX 2 x LOOP (G LAB A2L)

that is covered by this certificate and marked with CE 07 label conforms with following standards:

- PN-EN 60065:2004 Safety requirements for mains operated electronic and related apparatus for household and similar general use
- PN-EN 55103-1:1998 Product family standard for audio, video, audio-visual and entertainment lighting control apparatus for professional use. Part 1: Emission.
- PN-EN 55103-2:1998 Product family standard for audio, video, audio-visual and entertainment lighting control apparatus for professional use. Part 2: Immunity.

with reference to regulations in following directives: 73/23/EEC, 2004/108/EEC

Issued in Zabrze, October 2008

Jerzy Biernat

President of the ELZAB S.A. Board of Directors



DO NOT PLACE THIS PRODUCT INTO THE WASTE CONTAINER !

This device is marked with a cross-lined waste container symbol according to 2002/96/EU Directive on Waste Electric and Electronic Equipment. Such marking informs that after usage equipment can not be trashed together with other household waste.

An user obligation is to return wasted equipment to a party collecting wasted electric and electronic equipment. Parties collecting such equipment organise a system, including local collection points, shops and other units, allowing to return such equipment. This Directive assures an user free of charge utilisation of such delivered equipment.

This device is made of materials which can be recycled or utilised after becoming out of use. Proper handling of wasted electric and electronic equipment reduce demand for raw materials and contribute in avoiding harmful consequences for environment and health of people caused by dangerous components and not proper storing and utilising of such equipment.

Owner Manual, Drawing No. G25INA00